



TECHNOLOGY, INC.

“Your Global Technology Partner”

Wide Format Heavy Duty Rotary Cutter Model R-70/9010



Manufactured by Oyane Riki Mfg. Co., Ltd. of Japan using time tested methods for creating sharp cutting instruments, combined with modern manufacturing technology. Oyane has the long standing reputation for high quality products that is over 100 years old.

Photo: Model R-7010-0

Designed for Heavy Duty

The R-series heavy duty cutters are proven for their unsurpassed reliability in hundreds of applications where long life and uninterrupted service are essential. The open design facilitates ease of maintenance such as cleaning or removing jammed media. The rugged all metal construction and precision steel components allow high cutting capacity up to 12 mil thick paper or equivalent. The rated life of the R-series cutters exceeds one million cuts. Also available with non-stick coating as an option, the R-series cutters are especially well suited for linerless applications. Other options are choice of 24 or 12 volt DC motor, and wiring harness to meet your interconnection requirements.

Typical Applications

Typical applications of the R-series rotary cutters are tag and label printers, ticket machines, kiosks, and automatic photo processors.

Key Features

- Maximum Cutting Width 7.0” and 9.0”
- High Cutting Capacity up to 10 mil
- Superior Reliability
- Ease of Maintenance
- Long Service Life - Up to One Million Cuts
- All Metal Construction
- Integrated Heavy Duty DC Motor
- Cam Operated Position Sensor Switch

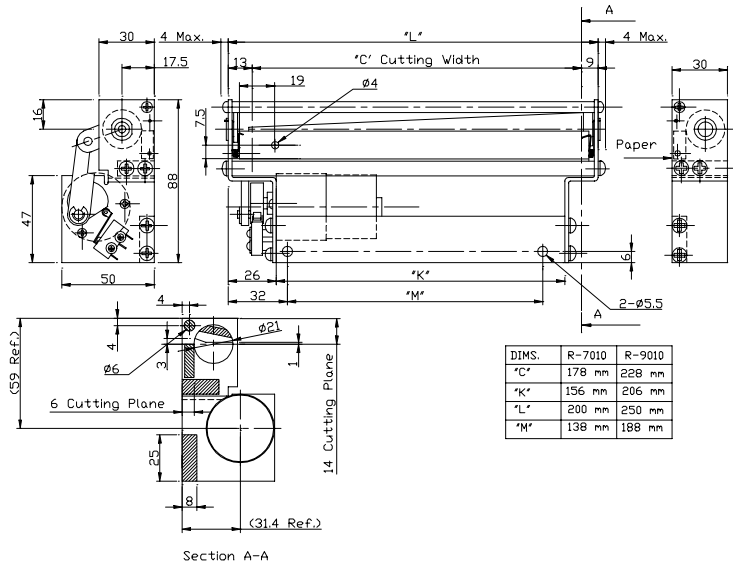
Distributed in the USA by:

CJP Technology, Inc.
610 N. Dwyer Drive
Anaheim, CA 92801
Tel./FAX: 714-535-0185
E-Mail: msawataki@msn.com

Wide Format Heavy Duty Rotary Cutter Model R-70/9010

Technical Specifications

Dimensional Drawings (dimensions in mm)

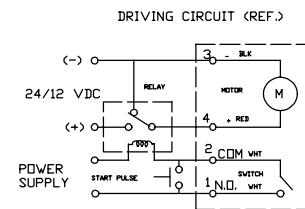


Specifications

R-7010-X R-9010-X

Cutting Width:	7.00 in	8.89 in
Max. Paper Thickness:	.010 in	.010 in
Weight:	27 oz	35 oz
Operating Voltage:	24 VDC or 12 VDC	
Current Draw - Operating:	0.2A or 0.4A max.	
- Starting:	0.5A or 1.0A max	
Starting Pulse Duration:	350 ms	
Actuation:	Momentary Contact	
	SPDT - External	
Cutting Cycle Time:	800 ms max.	
Operating Temperature:	14°F to +140°F	
	-10°C to +60°C	
Storage Temperature:	-4°F to +140°F	
	-20°C to +60°C	
Service Life:	1,000,000 cuts at	
	Max. Thickness	
MCBF:	2,000,000 cycles	

Electrical Schematic



Ordering Information

Model No.	Max. Width	Max. Thickness	Non-Stick Coating	Voltage
R-7010-0	7.00 in	.010 in	No	24 VDC
R-7010-1	7.00 in	.010 in	Yes	24 VDC
R-7010-2	7.00 in	.010 in	No	12 VDC
R-7010-3	7.00 in	.010 in	Yes	12 VDC
R-9010-0	8.89 in	.010 in	No	24 VDC
R-9010-1	8.89 in	.010 in	No	24 VDC
R-9010-2	8.89 in	.010 in	No	12 VDC
R-9010-3	8.89 in	.010 in	Yes	12 VDC

For Additional Information About CJP Technology Products Contact the Addresses on the Reverse Side or Visit our Website at www.cjptech.com